



Peak Beam Systems, Inc.
 3938 Miller Road, Edgemont, PA 19028
 P:(610) 353-8505 • F:(610) 353-8411
 sales@peakbeam.com • www.peakbeam.com



TECHNICAL SPECIFICATION

G3-26 rev.- 12/16

Product Identification:

Part Number: MBS-410
 Description: Maxa Beam Handheld and Remote-Controlled Searchlight, 12VDC Input, Plastic Connectors
 Included with Product: Operation Manual, Focus Adjustment Tool

Performance:

Output: 12,000,000 Peak Beam CandlePower
 (-10% minimum threshold; no maximum threshold)
 Range: 0.25 lux @ 6,925meters
 1 lux @ 3,500 meters
 12 lux @ 1,000 meters
Visible ranges per ANSI/NEMA FL1: Flashlight Basic Performance Standard

Control:

Control Method: On Board Switches (Handheld)
 Wired Remote Switches (*Hand Controller sold separately*)

Functional Characteristics:

Controllable Functions: On/Off, Beam Intensity, Beam Width, Strobe, Customized Beam Settings
 Customizable Settings: Start-Up Beam Width & Intensity, Spot Limit, Flood Limit, Strobe (*see below*)
 Lamp: Instant hot/cold start and restrike
 Beam Width: 1° Spot to 40° Flood, Motorized
 Beam Intensity: 3 Levels: 45W (Regular), 85W (High), 35W (Low; User-Programmable)
 Disorienting Strobe Function: Default frequency of 10Hz and default duty cycle of 38%.
 User-adjustable frequency from 1-31Hz and duty cycle from 3-63%

Environmental:

Ingress Protection: IP65 as per CEI/IEC 60529:2001
 Operating Temperature: -15°C to +60°C
 Housing: Alodined Aluminum per MIL-DTL-5541F Type 1, Class 3
 with Flat Black Polyester Powder-Coat Finish

Maintenance:

Lamp: Field Replaceable Xenon Short Arc Lamp (Kit #MBA-2400 sold separately)
 MTBF: 1500 hours (lamp); maintenance/replacement recommended at 1000 hours
 Warranty: 90 days (lamp); 1 year (all other components)

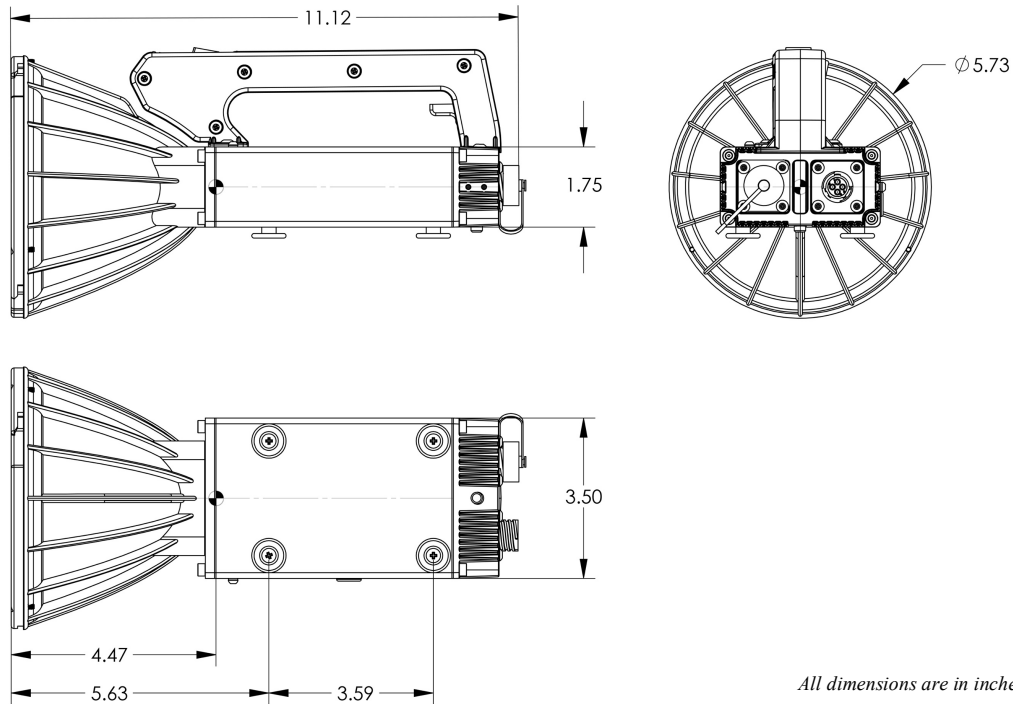
Power:

Parameter	Min	Typ	Max	Unit	Notes
Operating Voltage	10.0	13.5	13.5	Volts	Over Voltage/Reverse Polarity Protected to $\pm 36V$
Lamp Off, <i>Standard Lights</i>		<1	1	μ Amp	25°C, 12VDC Input
Low Beam Mode		3.37	3.60	Amps	25°C, 12VDC Input
Normal Beam Mode		4.34	4.60	Amps	25°C, 12VDC Input
High Beam Mode		8.52	9.30	Amps	25°C, 12VDC Input
Peak Current at Lamp Start		18.5	20.0	Amps	25°C, 12VDC Input
Peak Current Pulse Duration		10	12	mS	Pulse duration is the time the searchlight draws more than 10A. The waveform for this current pulse resembles half a cycle of a sine wave.

Dimensions:

Weight:

3.2 lbs.



All dimensions are in inches.

Connector Pin-Outs:

Power Connector Part #: CN-004M1		
<i>Pin</i>	<i>Color</i>	<i>Function</i>
1	Red	Positive Supply Voltage
2	Red	Positive Supply Voltage
3	Black	Negative Supply Voltage
4	Black	Negative Supply Voltage
Control Connector Part #: CN-015		
<i>Pin</i>	<i>Color</i>	<i>Function</i>
1	Red	12 VDC Out
2	Blue	Ground
3	Orange	On/Off
4	Brown	High/Normal Beam
5	Black	Focus Narrow
6	Yellow	Focus Wide
7	Green	Strobe/Battery Saver Mode
8	-	-